

CSG LPT PALLET TRUCK SCALE DATASHEET

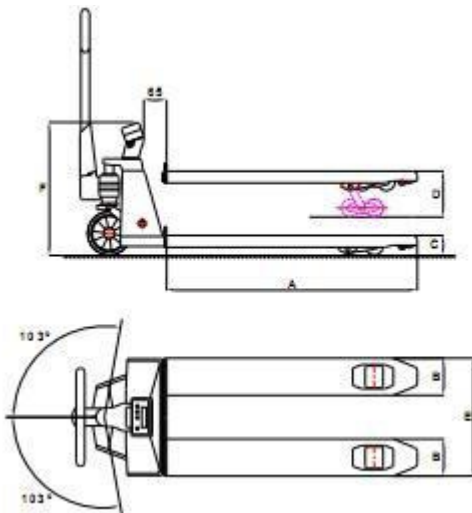


FUNCTIONS

Automatic and manual zero correction
Gross/net weighing
Totalling with sequence number
Error messages in display
Automatic switch-off after set time of non-use
Low battery indicator in display
LED/LCD display

SPECIFICATIONS

Weighing capacity: 2500kg
Division: 0.5kg
Display: LED/LCD 6 digits
7 function keys plus on/off key
Power supply: 110-260 VAC, 50-60Hz.
Internal rechargeable battery
Low power consumption
Protection class: Load cell and cabling IP67,
indicator IP65
Steering wheels: Polyurethane
Loading wheels: Polyurethane, tandem
Colour: Red
Product weight: 170kg



Dimensions

A) Fork length : 1150mm
B) Minimum fork height: 75mm
D) Maximum fork height: 195mm
E) Width over forks: 540mm
F) Height to top indicator: 1050mm



Built-in Printer

Prints: Serial number, Gross Weight,
Nett Weight, Time and Date