

EH-MH WHEELCHAIR SCALE

Option 2:
Approved version (EHI-E1)



Option 1:
Non-approved
version (EHI-CW)



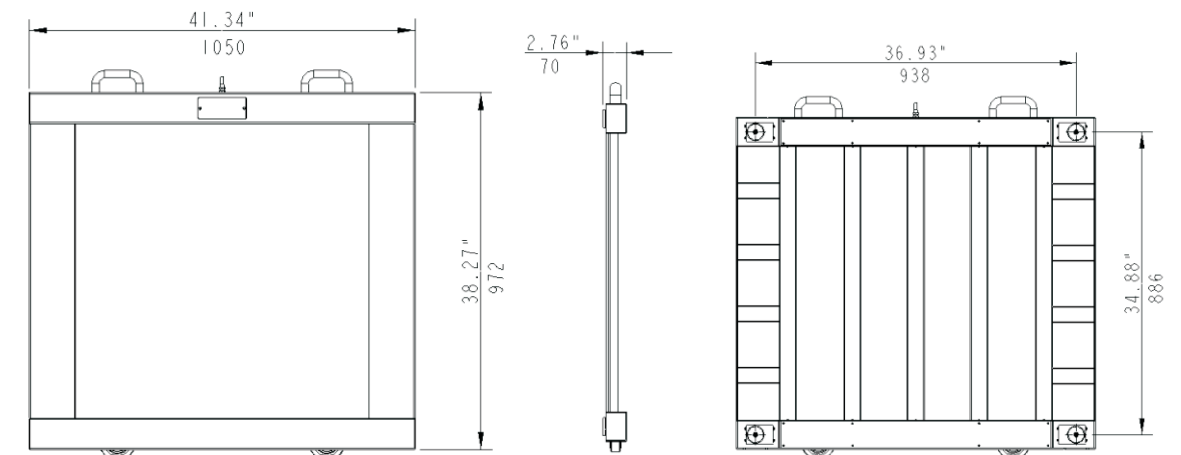
Features

- **Applications:** Legal for Trade application: families, hospitals, clinics and nurseries
- **Loadcell:** Four planar beam load cells, resolution up to 1/3000
- **Construction:** Low profile powder coated mild steel construction (2.5" high)
Large weighing platform perfect for weighing patient sitting in the wheelchair
Integrated with 2 ramps for chair convenient going up and down
Adjustable feet with silicon pad for quick balance and anti-skidding on ground
Built-in wheels and handles for smooth-running and fast mobility
Optional handrail or indicator stand
- **Indicator:** EHI-E1: Aluminum-alloy housing with FSTN LCD display with backlit
EHI-CW: Plastic housing indicator with LED display
- **Functions:** EHI-E1: Weighing, Hold, Tare, BMI, Print function, Bluetooth function
EHI-CW: Weighing, Hold, Tare, BMI

Specifications

Item	Parameters	
Model	EH-MH-300	EH-MH-500
Capacity	300kgx0.1kg / 660lbx0.2lb,	500kgx0.2kg / 1000lbx0.5lb
Units of Measure	kg, lb, lb:oz	
Display	EHI-E1: 6 digits 1" (25mm) high, 7 segments FSTN LCD display with backlit EHI-CW: 6 digits 0.8" (20mm) high, 7 segments LED display	
Serial Port	EHI-E1: RS232, USB;	EHI-CW: RS232
Power	EHI-E1: 9V DC 600mA adaptor or 4xAA batteries / EHI-CW: 12V DC 500mA adaptor or rechargeable battery	
Operation Temp	-10°C to 40°C (14°F to 104°F)	
Platform size	1050x972mm / 41.34"x38.27" (with ramps)	
Packing size	1260x1200x160mm/1pc/ctn	
Shipping Weight	G.W.: 47kg N.W.: 44kg	
Approvals	CE and WEEE directive, UL/CE/BS/VI Energy approved power adaptor	
Options	RS232 cable, USB cable, handrail, indicator stand, bluetooth	

Dimensions (mm/inch)



- Non-approved: with EHI-CW indicator and non-approved loadcells
- OIML & EC Type approved: with OIML EHI-E1 indicator and OIML loadcells
OIML Cert. No.: R76/2006-NL1-16.09;
EC Type Cert. No.: T8557



- Extremely low profile platform with flat surface & with built-in ramps for chairs or disable patients going up and down easily



- 2 transport handles and 2 rugged scuff-proof wheels allow the user to move the scale conveniently
- 4 adjustable feet for quick stability